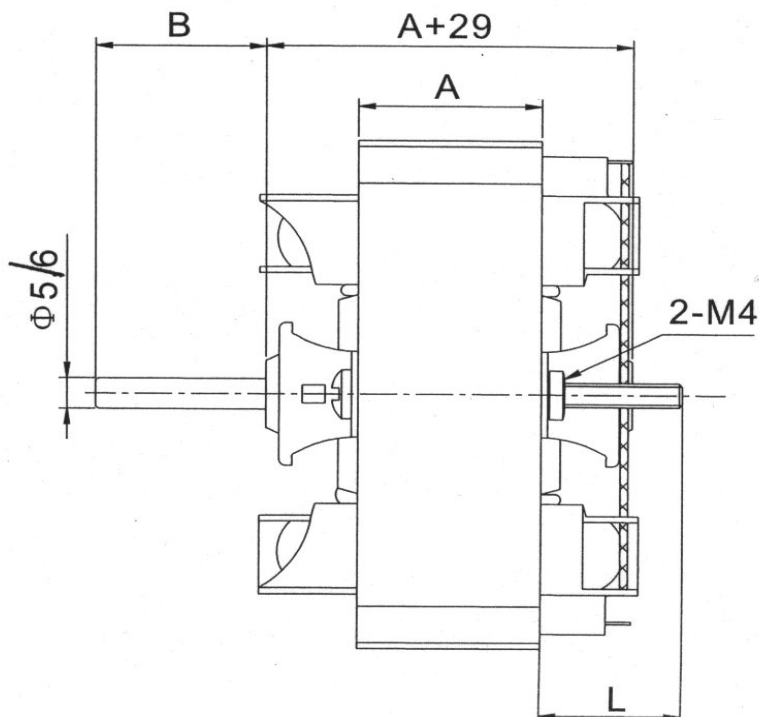
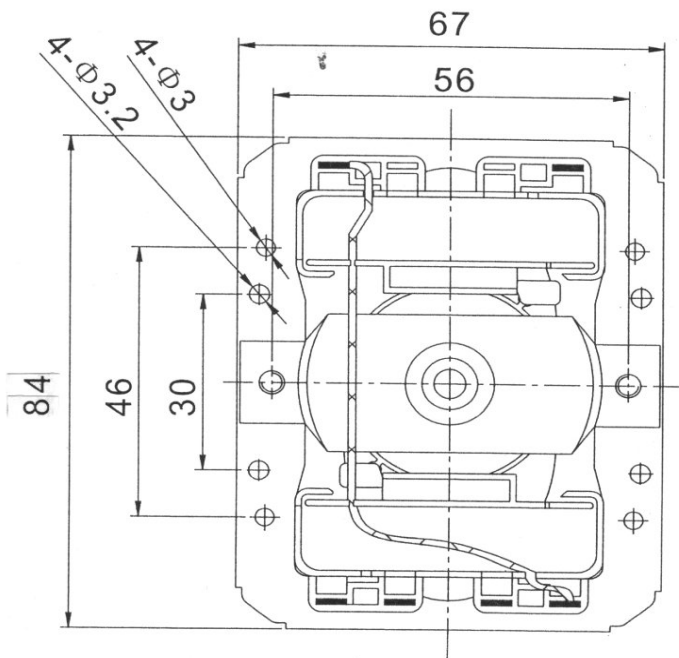


CONSTRUCTIVE DATA

VOLTAGE	110-240
FREQUENCY	50-60 Hz
SPEED	1-3
A	15-38
THERMAL PROTECTION	IF REQUESTED
LEAD WIRES	IF REQUESTED
INSULATION CLASS	E B F H



FREITECH SRL
electrical components

MOTOR CODE :

FREITECH CODE :

VISTO R.Q.

L. Membrini

REV.

0

CUSTOMER :

OPERATORE :

DATE :

11/12/2012